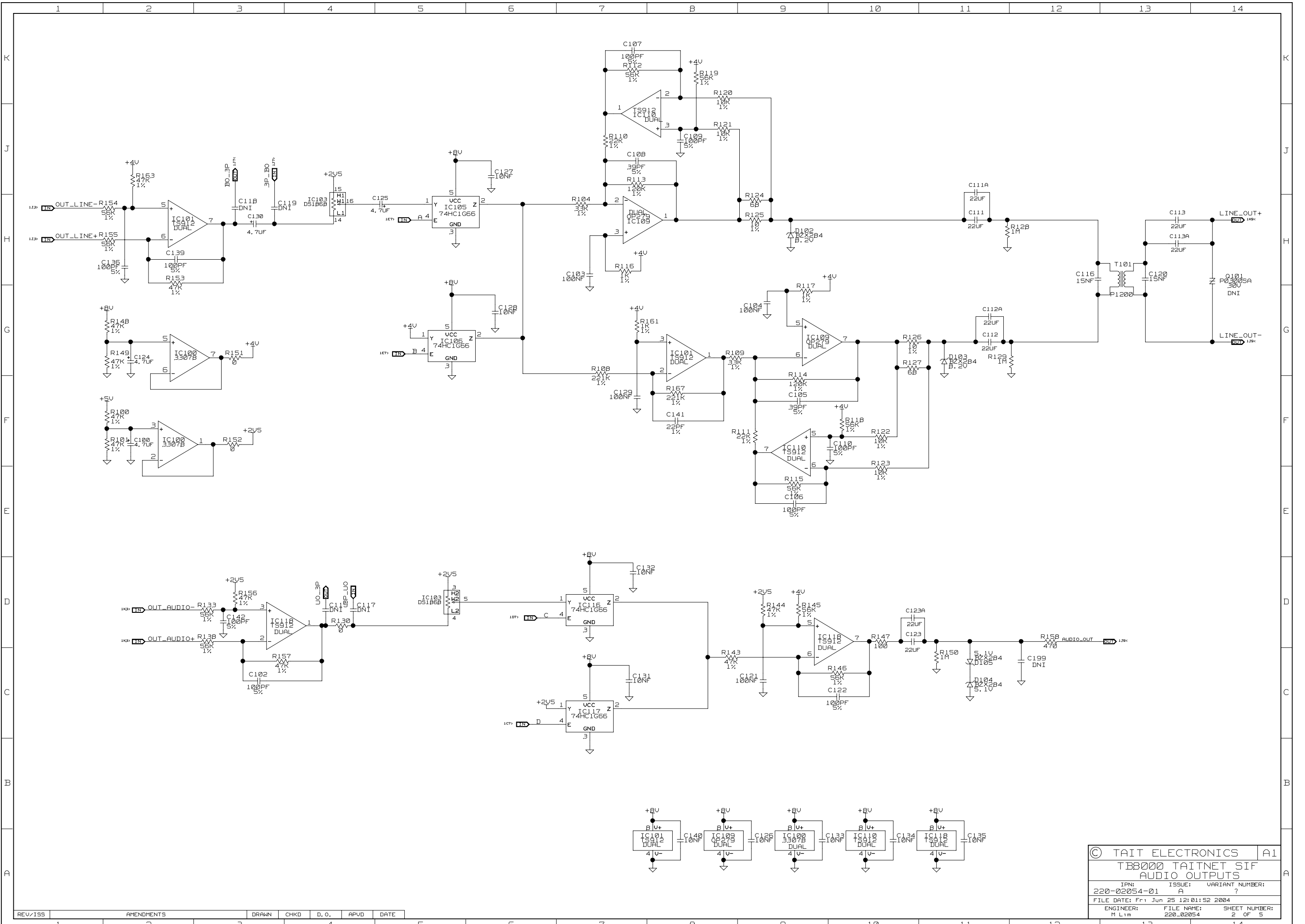


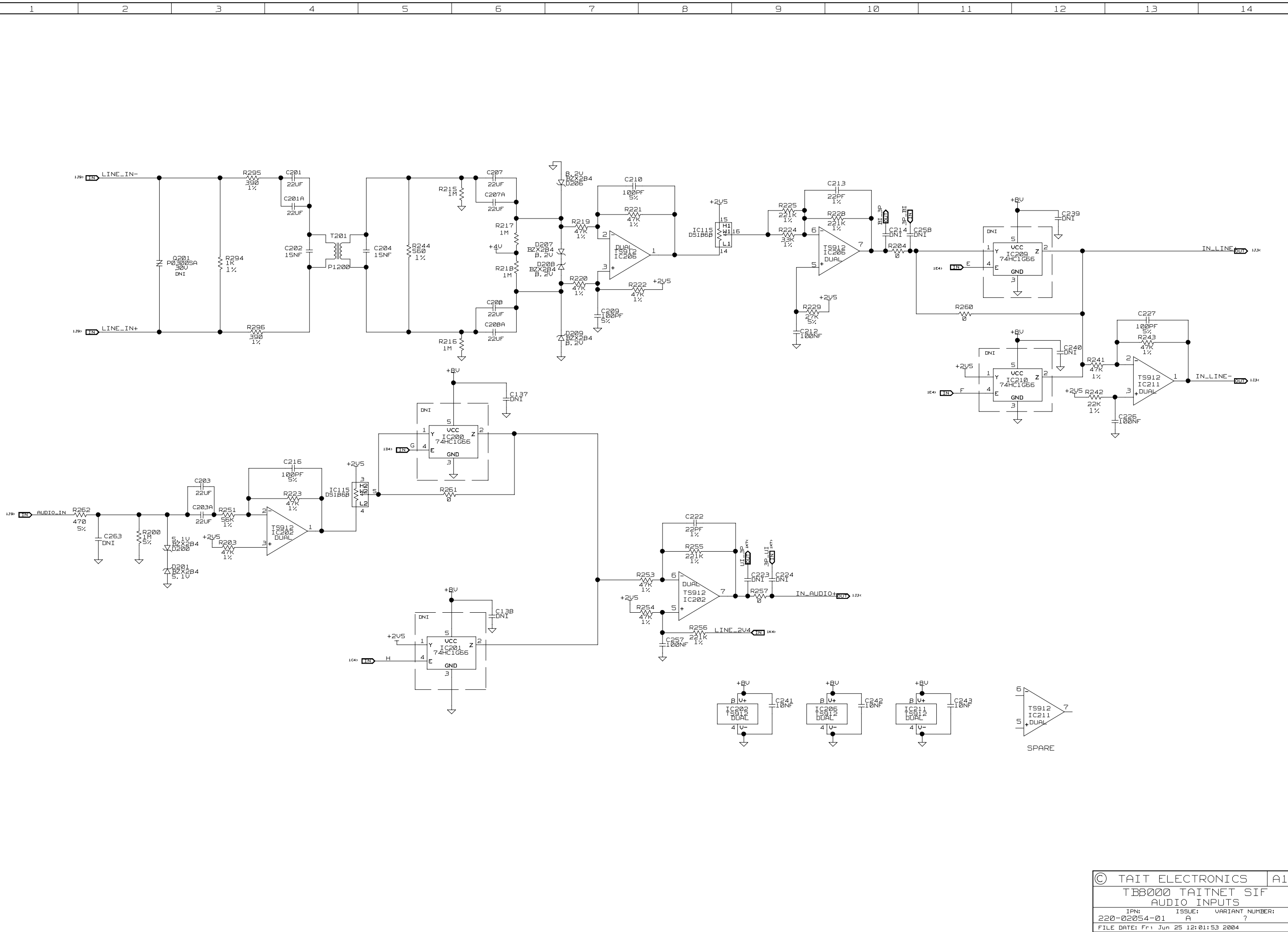
01A	LONED FROM 220-032-04 AND MODIFIED FOR RS232	ML	CJK	PS/05/04
REV/ISS	AMENDMENTS	DRAWN	CHKD	DATE

© TAIT ELECTRONICS		A1
TB8000 TAITNET SIF CONNECTORS & MISC.		
IPN:	ISSUE:	VARIANT NUMBER:
220-02054-01	A	?
FILE DATE: Fri Jun 25 12:01:50 2004		
ENGINEER:	FILE NAME:	SHEET NUMBER:
M Llm	220_02054	1 OF 5



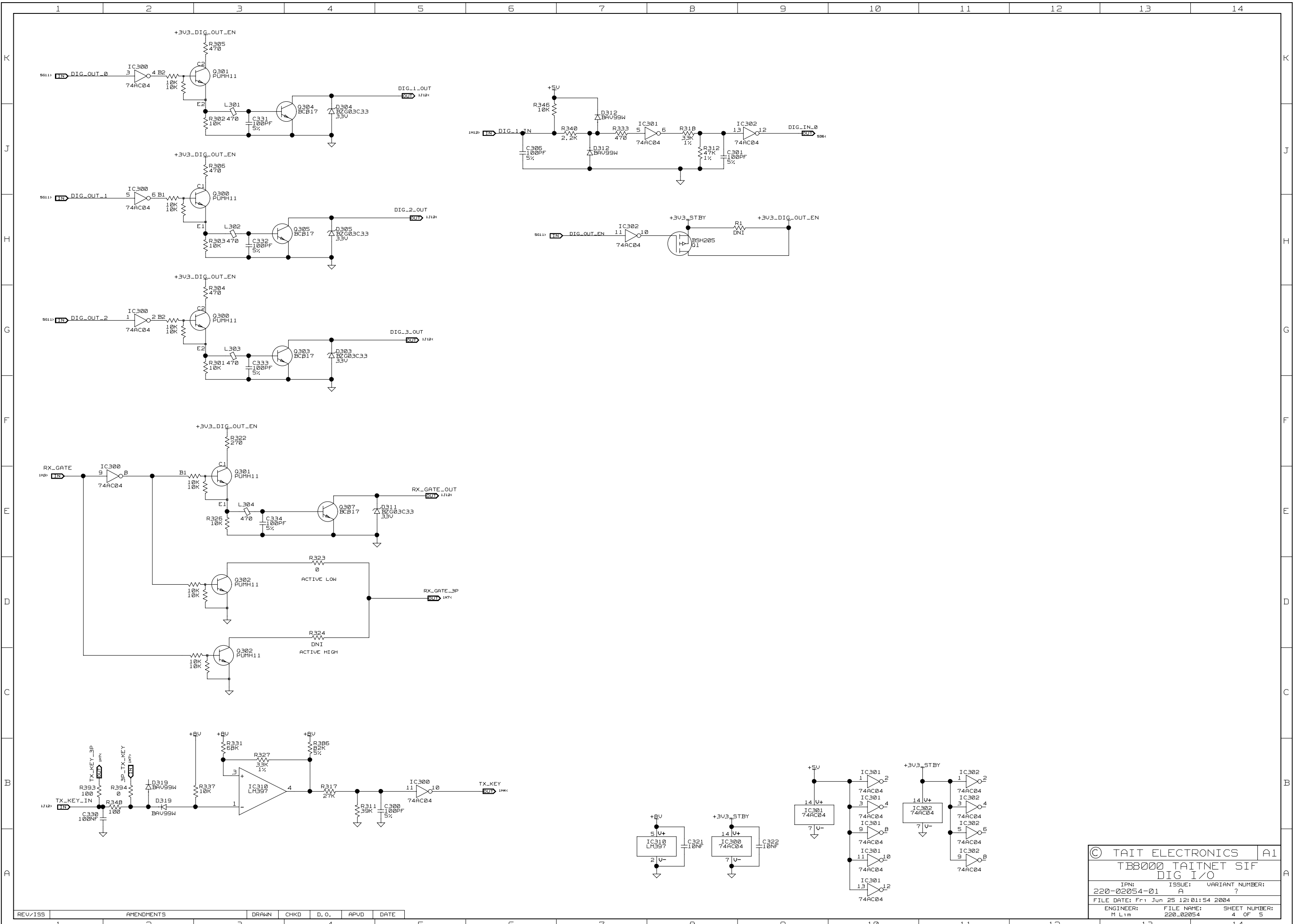
© TAIT ELECTRONICS A1  
 TB8000 TAITNET SIF  
 AUDIO OUTPUTS  
 IPN: ISSUE: VARIANT NUMBER:  
 220-02054-01 A ?  
 FILE DATE: Fri Jun 25 12:01:52 2004  
 ENGINEER: FILE NAME: SHEET NUMBER:  
 M L M 220\_02054 2 OF 5

REV/ISS	AMENDMENTS	DRAWN	CHKD	D. O.	APUD	DATE
1						
2						
3						
4						
5						



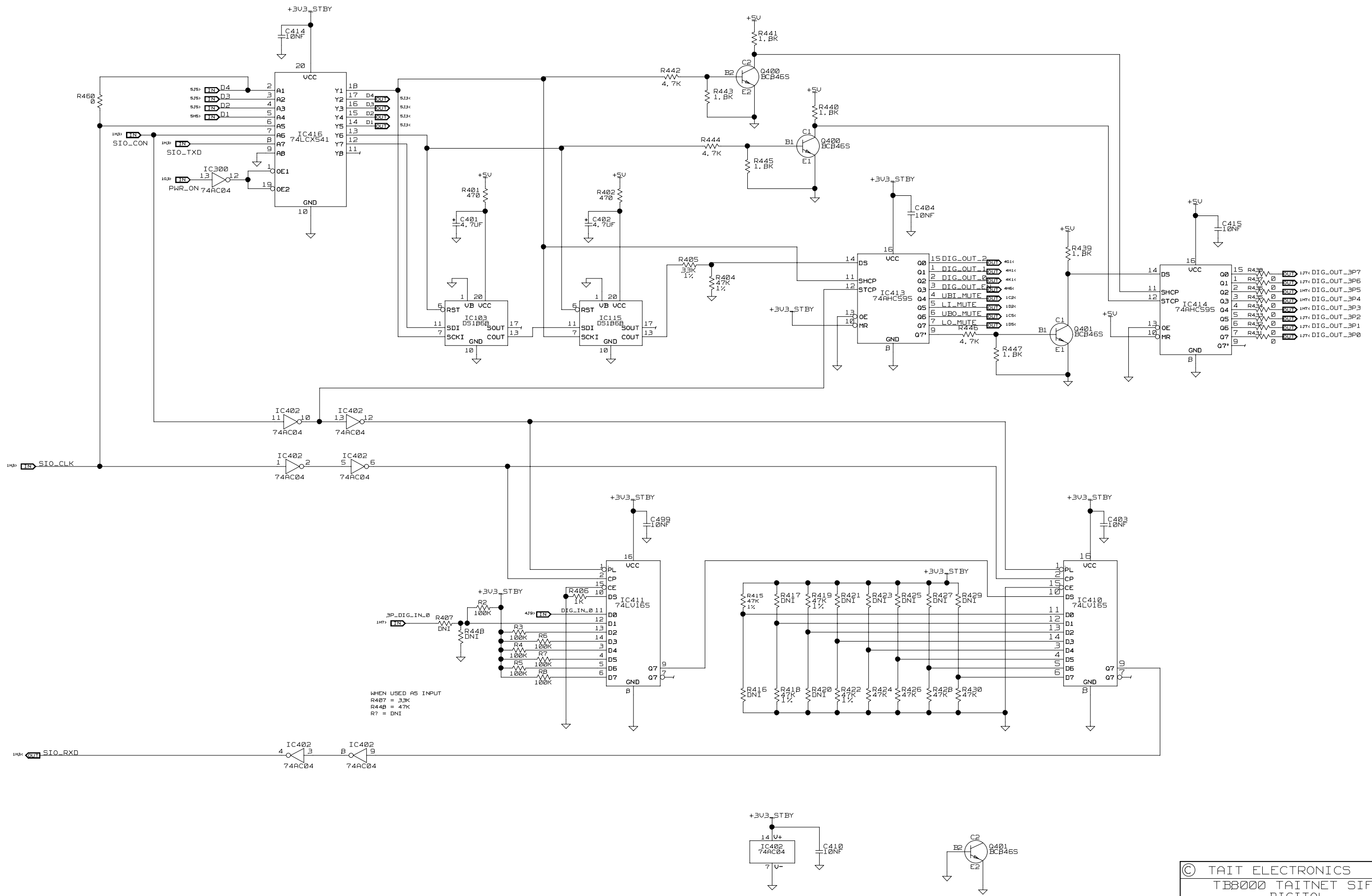
© TAIT ELECTRONICS		A1
TB8000 TAITNET SIF		
AUDIO INPUTS		
IPN:	ISSUE:	VARIANT NUMBER:
220-02054-01	A	?
FILE DATE: Fri Jun 25 12:01:53 2004		
ENGINEER:	FILE NAME:	SHEET NUMBER:
M Llm	220_02054	3 OF 5

REV/ISS	AMENDMENTS	DRAWN	CHKD	D. O.	APUD	DATE
1						
2						
3						
4						
5						
6						
7						
8						
9						
10						
11						
12						
13						
14						



© TAIT ELECTRONICS		A1
TB8000 TAINET SIF DIG I/O		
IPN: 220-02054-01	ISSUE: A	VARIANT NUMBER: ?
FILE DATE: Fri Jun 25 12:01:54 2004		
ENGINEER: M L M	FILE NAME: 220_02054	SHEET NUMBER: 4 OF 5

REV/ISS	AMENDMENTS	DRAWN	CHKD	D. O.	APVD	DATE
1						
2						
3						
4						
5						



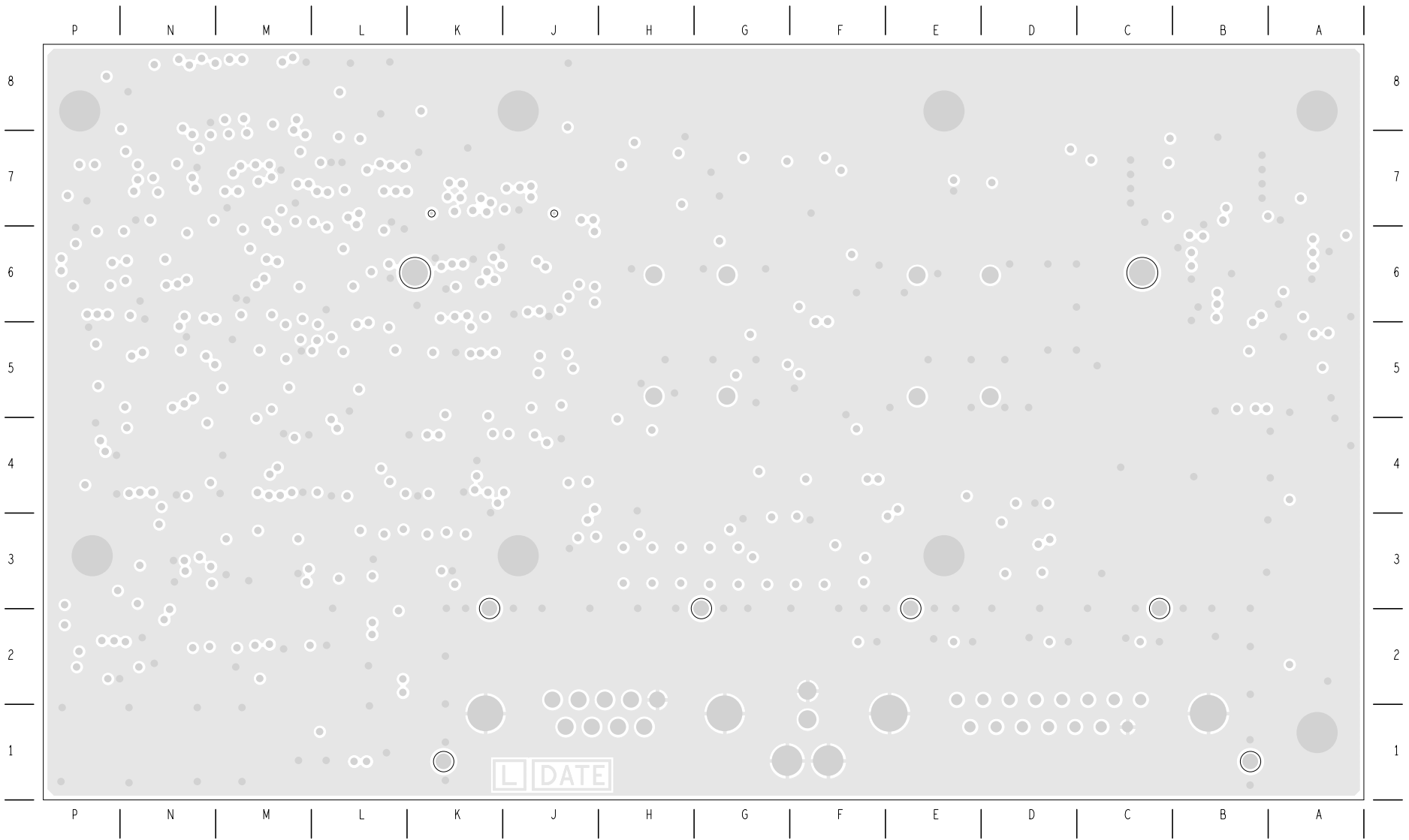
WHEN USED AS INPUT  
 R407 = 33K  
 R44B = 47K  
 R7 = DNI

© TAIT ELECTRONICS		A1
TB8000 TAITNET SIF DIGITAL		
IPN:	ISSUE:	VARIANT NUMBER:
220-02054-01	A	?
FILE DATE: Fri Jun 25 12:01:55 2004		
ENGINEER:	FILE NAME:	SHEET NUMBER:
M L m	220_02054	5 OF 5

REV/ISS	AMENDMENTS	DRAWN	CHKD	D. O.	APUD	DATE
1						
2						
3						
4						
5						
6						
7						
8						
9						
10						
11						
12						
13						
14						



TAIT ELECTRONICS	IPN: 220-02054-01	ISS: A	DATE: 28Jun04	SCALE: NTS
TB8000 TAITNET RS232 SIF 220-02054-01A LAYOUT-PRIMARY-SIDE				



TAIT ELECTRONICS	IPN: 220-02054-01	ISS: A	DATE: 28Jun04	SCALE: NTS
TB8000 TAITNET RS232 SIF 220-02054-01A LAYOUT-SECONDARY-SIDE				